



Multiplatform Cargo Winch



Enhances an Operator's capability inventory to facilitate the pulling of heavy loads. The reduction in aircraft time-on-ground increases on-time-delivery in the transportation of critical cargo.

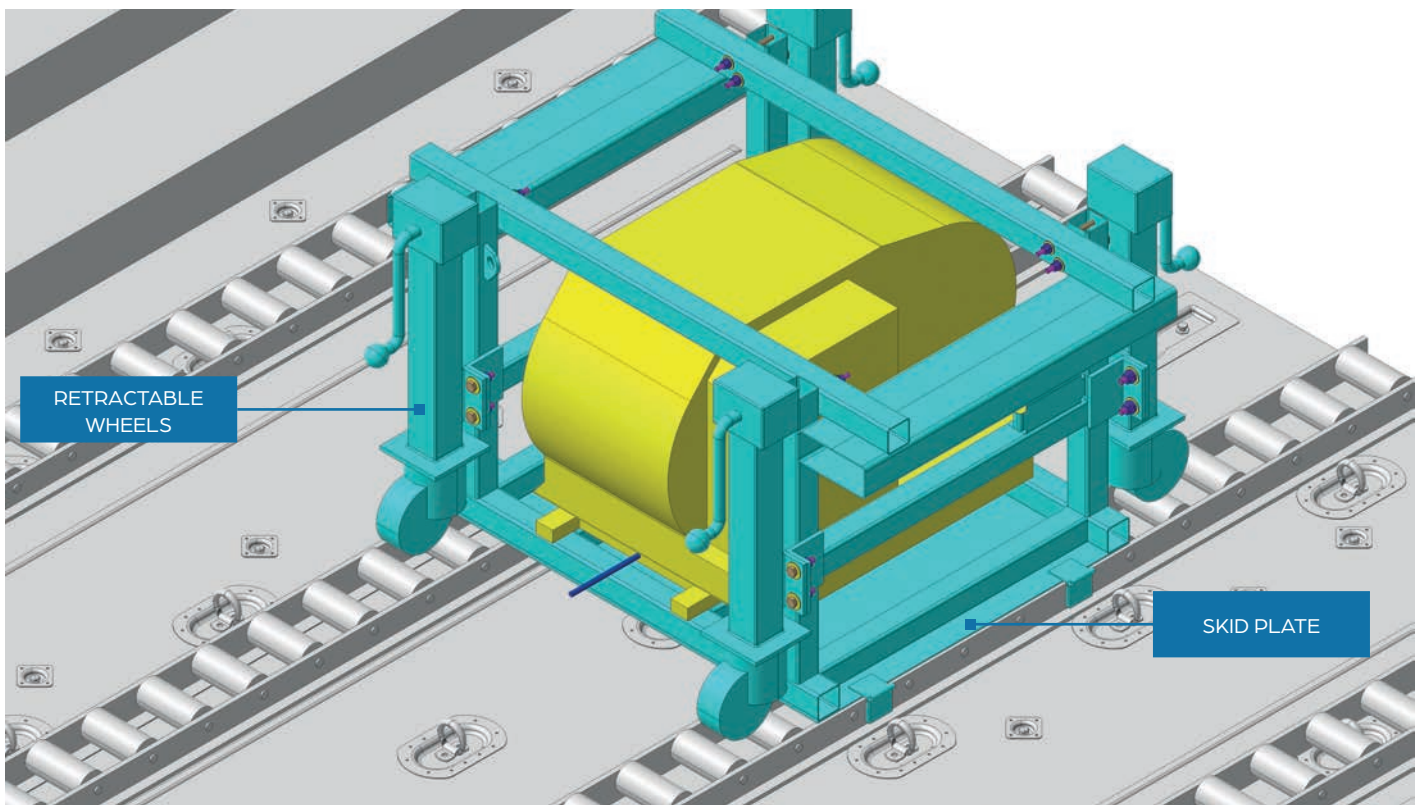


Key Features

- The Roll on Roll off Cargo Winch requires no modification to aircraft
- No human manual lift is required to facilitate the pulling of heavy loads
- Utilises existing 115VAC/400Hz and 28VDC electrical outlets for power
- Developed to the highest safety requirements
- Cargo winch cable length is 60m
- 6500lb safe working load limit
- Cargo Winch Control Pendant on 18m cable to allow operator freedom of movement

Values and benefits

- Cargo Winch portability between aircraft reduces fleet acquisition costs
- The platform agnostic and ergonomic design allows multiplatform use to complement an Operators Capability inventory
- Developed to allow full freedom of movement to maximise the space envelope of the platform for cargo storage
- Reduces cargo loading and unloading time on aircraft to allow faster forward deployment of cargo
- Enables loading of the aircraft in remote locations where Ground Support Equipment (GSE) is not available



For a full set of capabilities please contact the Marshall team or take a look at our website

