

SERVICE BULLETIN

SB No. 131 Issue No. 1

TITLE INSPECTION FOR CENTRE CONSOLE FIXING SCREW FOULING
 ELECTRIC TRIM SYSTEM

CLASSIFICATION

This Service Bulletin has been classified by SAL as Highly Recommended

COMPLIANCE

Within next 150 flying hours

APPLICABILITY:

T67M260-T3A, T67M260 (Not Works No. 2072) and T67C Post Mod M443 (Electric Trim)

INTRODUCTION

A case has been reported of a foul between the electric trim up limit microswitch and the centre console forward attachment screw on the port side.

Following investigation, it was found that the foul is due to incorrect placement of the centre console, left hand forward attachment screw.

ACTION:

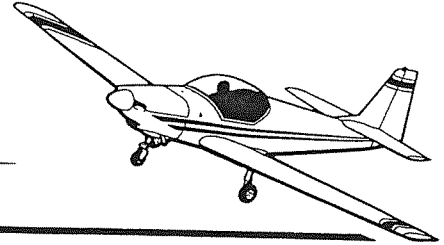
1. Remove seat cushions.
2. Inspect L/H side of centre console and establish whether forward attachment screw centre is 300mm (11 13/16") from the rear attachment screw centre (correct position) or 210mm (8 1/4") from the rear attachment screw centre (incorrect position). Ref: Fig. 1 View on Arrow A.
3. (i) If screw was in incorrect position (210mm) check whether a foul has occurred, by inspecting the electric trim up limit microswitch (forward switch) and wiring for any chafing damage.
 (ii) If chafing has resulted in significant damage, renew appropriate components as required. Ensure that wiring is routed well away from any possible chafing points.
4. Remove centre console. Remove hole at 210 (8 1/4") by standard repair (Refer T67 GRP Repair Manual) and if required drill 5.1dia hole at 300 (11 13/16") position. Ref: Fig. 1 View on Arrow A.
5. On completion of Service Bulletin, annotate aircraft Logbook "SB 131 complied with".

ISSUED BY:

Date 27 . Sep. 97

 for and on behalf of SLINGSBY AVIATION LIMITED Tel. 01751 432474
 Kirkbymoorside, York YO6 6EZ, England Fax 01751 431173

Page 1 of 2



SERVICE BULLETIN

SB No.

131

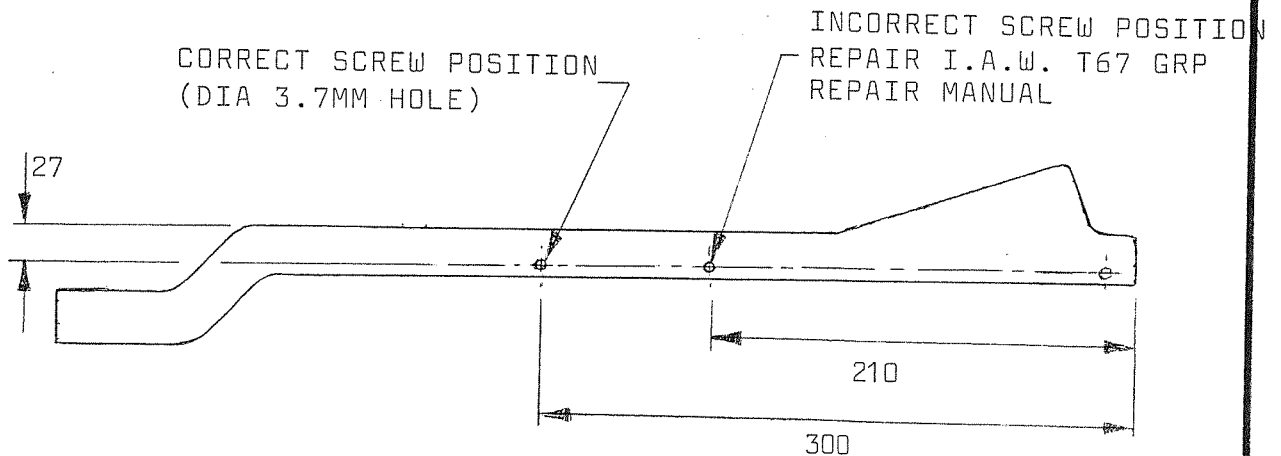
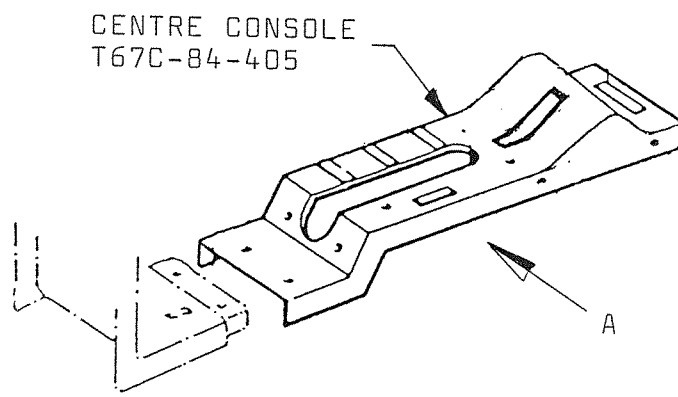
Issue No.

1

TITLE

**INSPECTION FOR CENTRE CONSOLE FIXING SCREW FOULING
ELECTRIC TRIM SYSTEM**

CONTINUED



VIEW ON ARROW A

FIG 1 - POSITIONING OF SCREWS ON CENTRE CONSOLE PORT SIDE

Approved:

Date:

27 Sep. 97.

Page

2

of

2