

# SERVICE BULLETIN

 SB No. **81** Issue No. **1**
**TITLE** INSPECTION AND REPLACEMENT OF ALUMINIUM HINGE ON INJECTOR AIR INTAKE DUCT AUXILIARY INTAKE DOOR

**CLASSIFICATION**

This Service Bulletin has been classified as Highly Recommended by SAL

**COMPLIANCE**

Within 100 flying hours

**APPLICABILITY:**

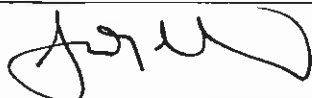
T67M260-T3A.

**INTRODUCTION:**

Cases have been reported of the aluminium hinge on the injector air intake duct auxiliary intake door having worn through.

**ACTION**

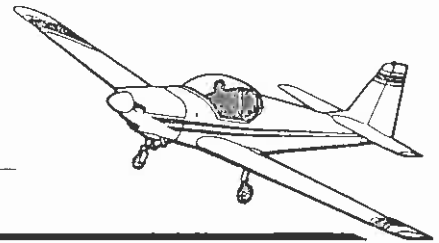
1. Establish Mod state of intake duct. This is achieved by either:
  - a) For Post Mod M668A (New Build) deflecting door fully open until hinge can be seen. Its colour should be bright for stainless steel.
  - b) For Post Mod M668B (repaired) top of duct at hinge position should show 3 'pop' rivet heads, Ref. Fig. 1.
  - c) Pre Mod M668A or B, aluminium hinge indicated by its pale mustard colour.
2. If it is established that Mod M668A or B is incorporated, then annotate in log book SB 81 complied with. If intake duct is Pre Mod M668A or B, then proceed as paragraph 3.

**ISSUED BY:**


 Date **5.7.96.**

 for and on behalf of **SLINGSBY AVIATION LIMITED**  
 Kirkbymoorside York YO6 6EZ England Tel 0751 32474 Telex 57597

 Page **1** of **3**

**SERVICE BULLETIN**

SB No.

81

Issue No.

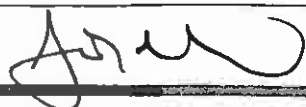
1

**TITLE INSPECTION AND REPLACEMENT OF ALUMINIUM HINGE ON INJECTOR AIR INTAKE DUCT AUXILIARY INTAKE DOOR**

CONTINUED

- 3 Inspect aluminium hinge for thinning of the hinge knuckles.
  - i) If hinge is worn or broken, then replace air intake duct with Post Mod M668A or B, item ref paragraph 5.
  - ii) If hinge is satisfactory check every 50 flying hours until Mod M668A or B is incorporated.
4. Return Pre Mod M668 intake ducts to manufacturer for repair to Post Mod M668B standard in accordance with Drawing No. T67G-03-047.
5. Fit new or repaired air intake duct T67G-50-103 Post Mod M668A or Mod M668B, and annotate log book SB 81 complied with.

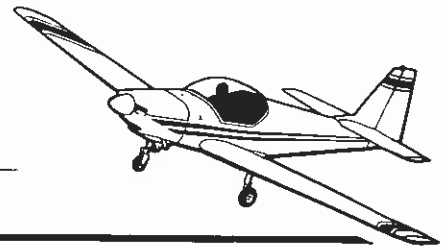
Approved:



Date:

5.7.96

Page 2 of 3



**SERVICE BULLETIN**

SB No.

81

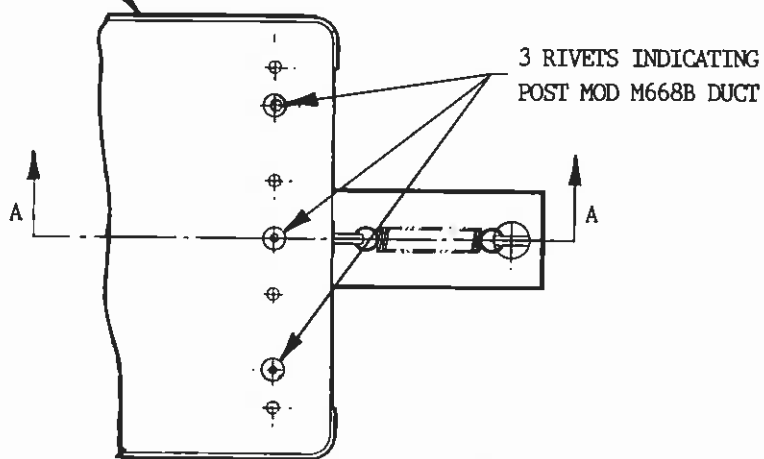
Issue No.

1

**TITLE INSPECTION AND REPLACEMENT OF ALUMINIUM HINGE ON INJECTOR AIR INTAKE DUCT AUXILIARY INTAKE DOOR**

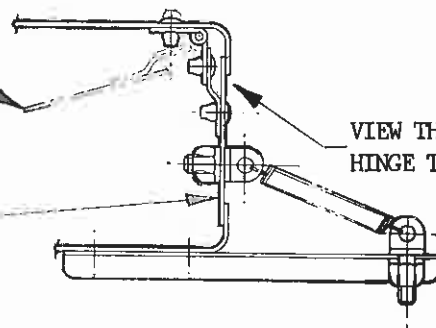
CONTINUED

AFT OF INJECTOR AIR INTAKE DUCT



AUXILLARY AIR INTAKE DOOR OPEN POSITION

AUXILLARY AIR INTAKE DOOR CLOSED POSITION



SECTION A-A

FIG 1

SHOWING HINGE ON AUXILLARY INTAKE DOOR

Approved:

Date:

5.7.96

Page

3

of

3