

Service Bulletin

S.B. No: 173

Title: CANOPY LATCH ASSEMBLY COVERS

Classification: This Service Bulletin has been classified by SAL as Highly Recommended

Compliance: One time action at next 50hr inspection

Applicability: Post Mod M129 T67C, T67M, T67M-MkII, T67M200, T67M260 and T67M260-T3A

INTRODUCTION:

PLEASE NOTE:

This service bulletin does not satisfy or cancel work called up in any other bulletin and it does not override the canopy latching procedures contained in the approved flight and maintenance manuals.

A recommendation has been put forward which improves the ease of visual inspection when checking for correct engagement of the latch hooks with the latch pin. The correct position of the latch hooks and pin for a correctly closed and locked canopy is shown in Figure No.1.

The recommendation involves cutting away part of the following covers:

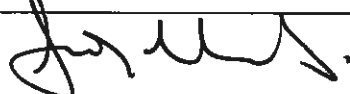
- i. T67M-17-419 Canopy latch cover on the moveable canopy
- ii. (a) T67M-17-425: Latch block cover on the fixed canopy (Pre-Mod M755)
- (b) T67G-17-111: Latch block cover on the fixed canopy (Post Mod M755)

Note: Mod. M755 introduced the riveting of the compass card holder to the latch block cover, ref: aircraft Serial Numbers 2264 and subsequent in build.

ACTION:

1. Remove the two covers, referenced above, from the aircraft.
2. Carefully cut away the material shown shaded in Figures 2 and 3.

ISSUED
15 MAY 2001

Approved by: 		
For and on behalf of SLINGSBY AVIATION LIMITED	Date: 15 th May 01.	Issue 1
Kirkbymoorside, York. YO62 6EZ Fax No: 01751 431173	Tel: 01751 432474 E-mail: SAL5@Slingsby.co.uk	Page 1 of 5

3. Apply epoxy eggshell black paint to the cut edges. Alternatively a black marker pen may be used.
4. Re-identify the covers as follows:
 - i. T67M-17-419 becomes T67M-17-427
 - ii.
 - a. T67M-17-425 (Pre-Mod M755) becomes T67M-17-813
 - b. T67G-17-111 (Post Mod M755) becomes T67G-17-113
5. Re-assemble the covers to the aircraft.
6. Check full and free operation of the canopy latch assembly.
7. Annotate logbook "SB 173 Complied with" and "Modification M944 incorporated".

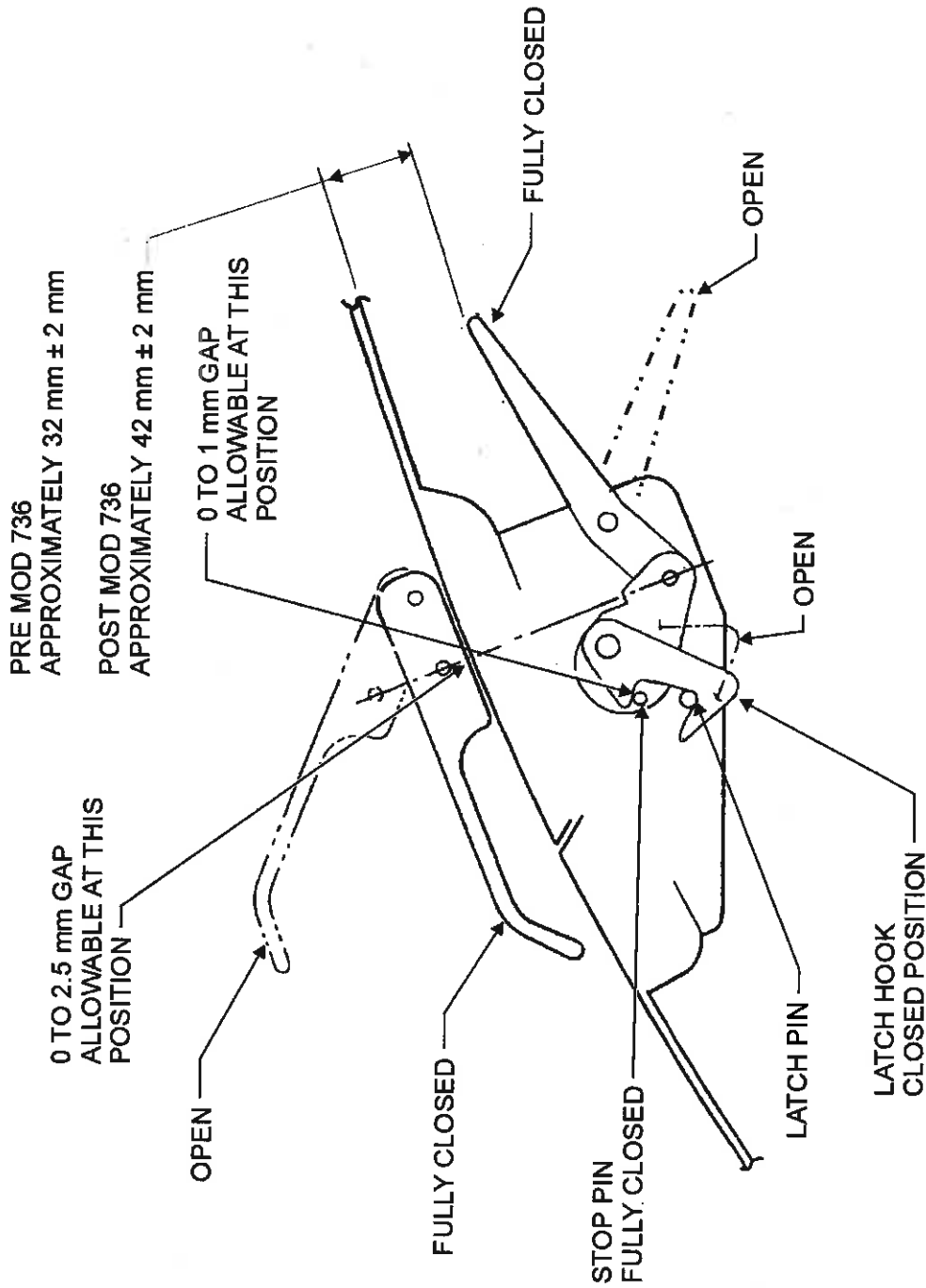


FIGURE 1 CANOPY LATCH SET-UP

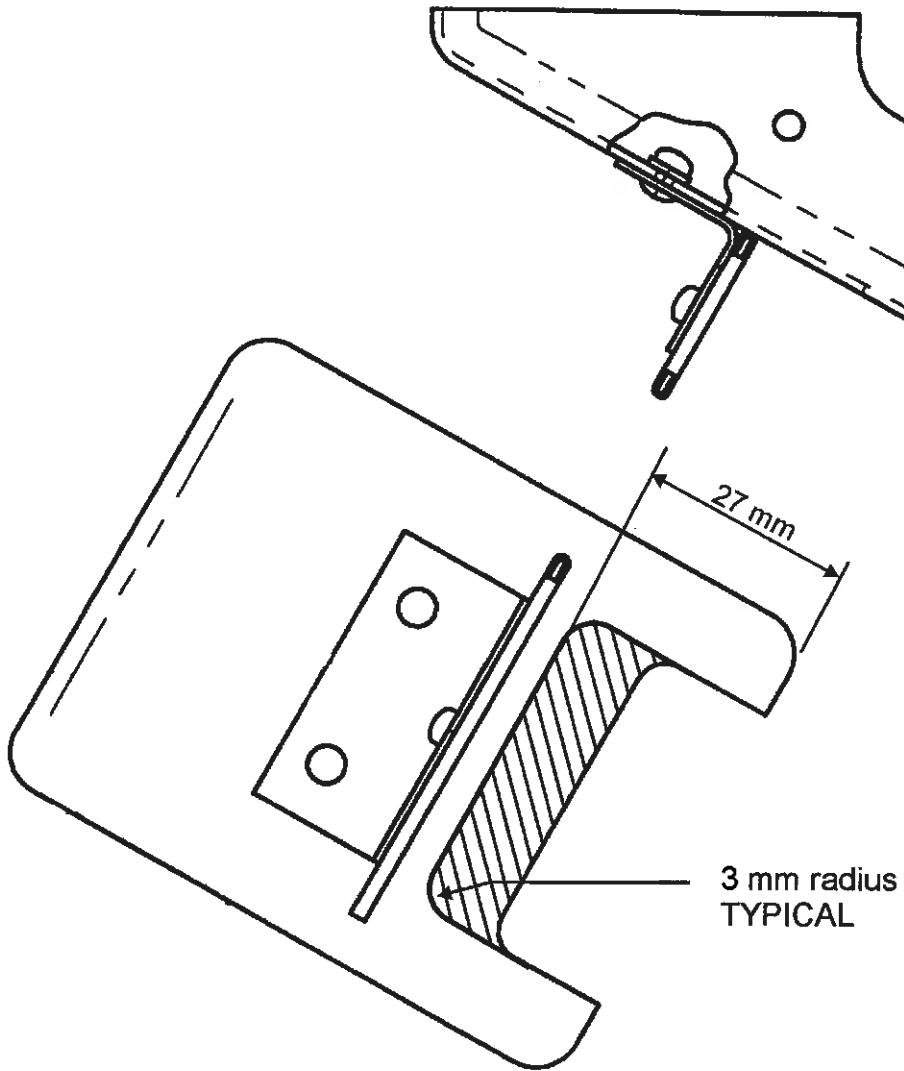


FIGURE 2 LATCH BLOCK COVER ON FIXED CANOPY

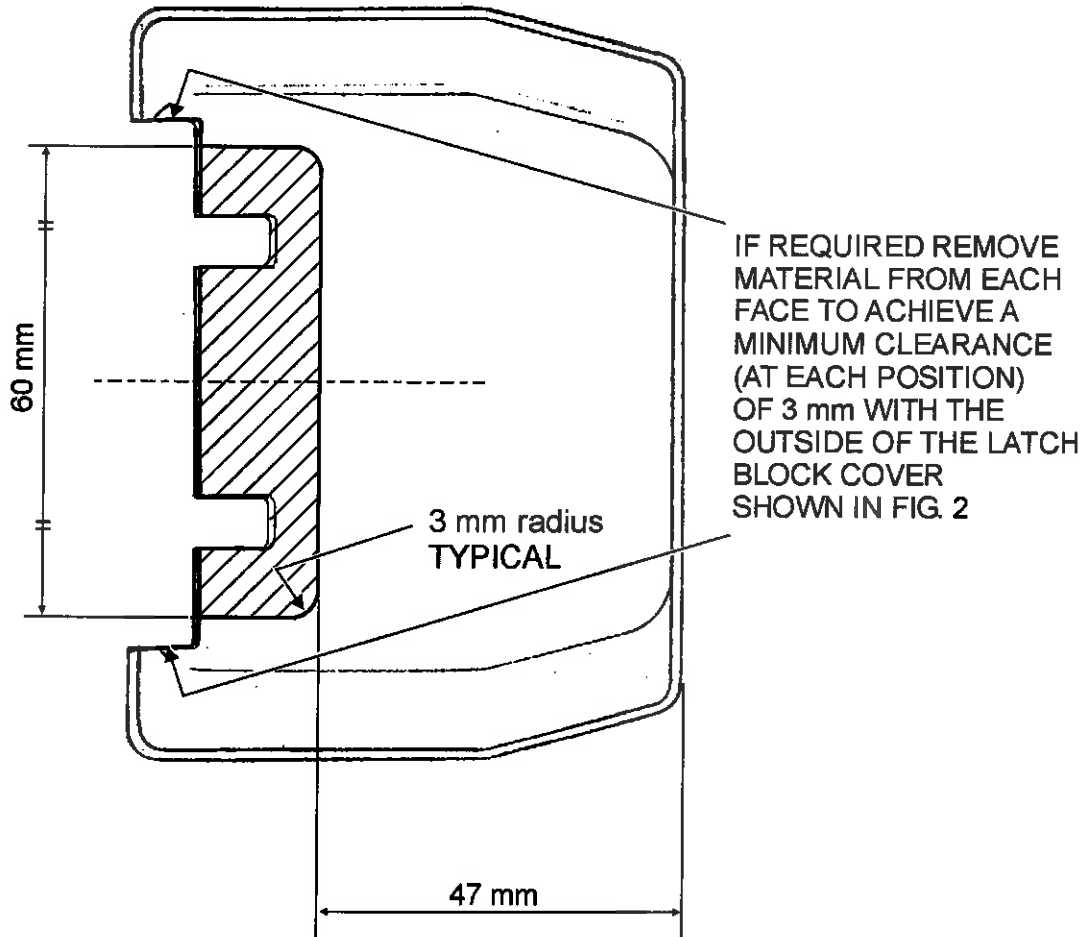


FIGURE 3 LATCH COVER ON THE MOVEABLE CANOPY